



P.O. Box 22326
Lincoln, NE 68542

PF: 402/421-9464 | WEBSITE: www.sitescapesonline.com
FX: 402/421-9479 | E-MAIL: info@sitescapesonline.com

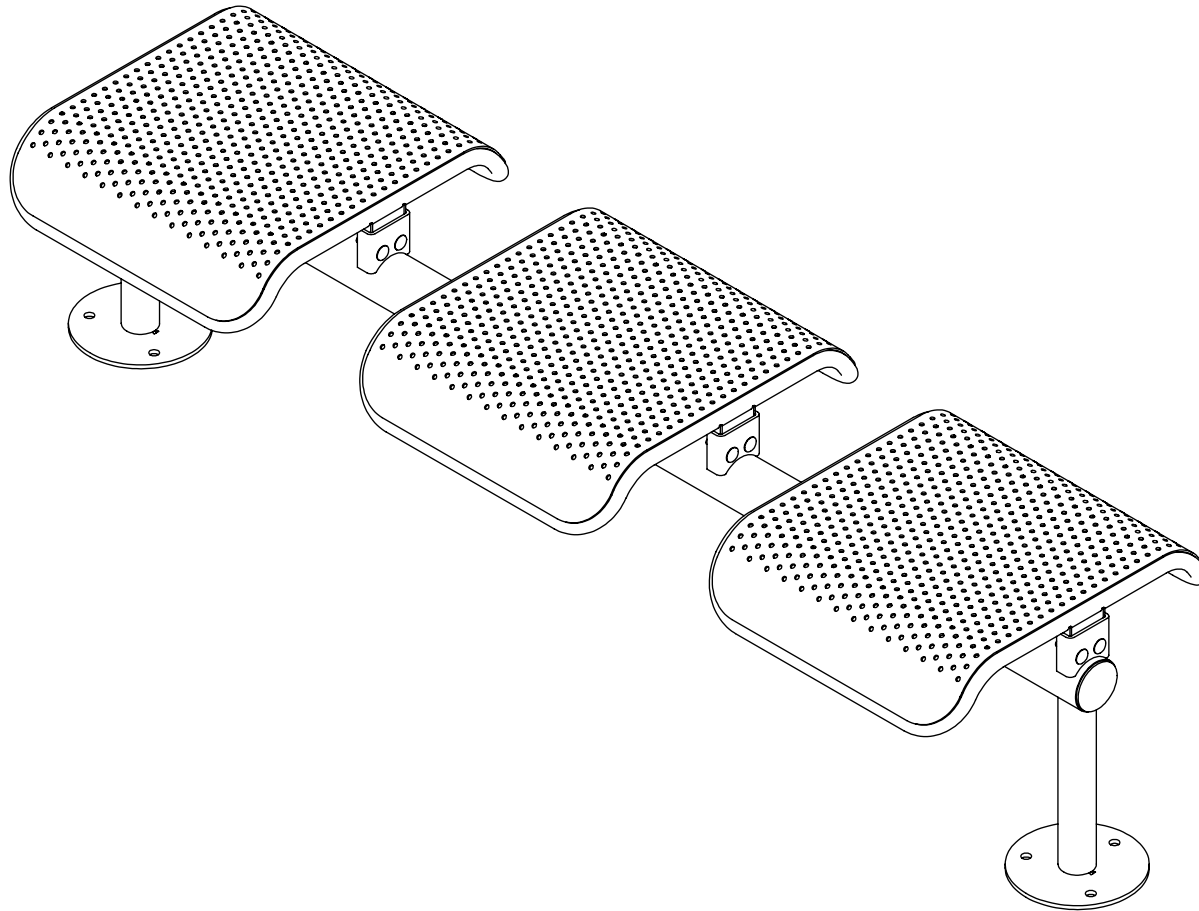
TITLE *PUNCHED METAL
BENCH*

PRODUCT NO.
PM1-1120

INCH TOLERANCES U.O.S.
FRACTION-- $\pm 1/16"$
ANG----- $\pm 1^\circ$

THE INFORMATION CONTAINED IN THIS DRAWING IS THE SOLE PROPERTY OF SITESCAPES, INC. ANY REPRODUCTION IN PART OR AS A WHOLE WITHOUT THE WRITTEN PERMISSION OF SITESCAPES, INC. IS PROHIBITED.

*Available in powder coat and DuraCoat finishes





P.O. Box 22326
Lincoln, NE 68542

PF: 402/421-9464 | WEBSITE: www.sitescapesonline.com
FX: 402/421-9479 | E-MAIL: info@sitescapesonline.com

INCH TOLERANCES U.O.S.

FRACTION-- $\pm 1/16$ "
ANG----- $\pm 1^\circ$

THE INFORMATION CONTAINED IN THIS DRAWING IS THE SOLE PROPERTY OF SITESCAPES, INC. ANY REPRODUCTION IN PART OR AS A WHOLE WITHOUT THE WRITTEN PERMISSION OF SITESCAPES, INC. IS PROHIBITED.

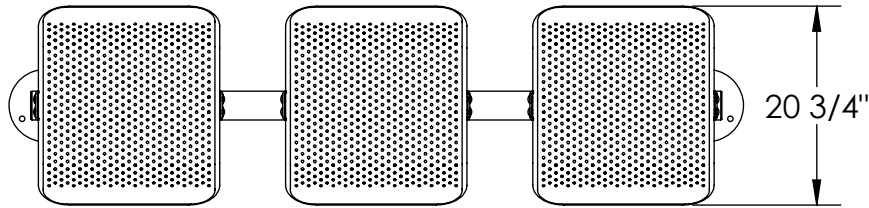
TITLE *PUNCHED METAL BENCH*

PRODUCT NO.
PM1-1120

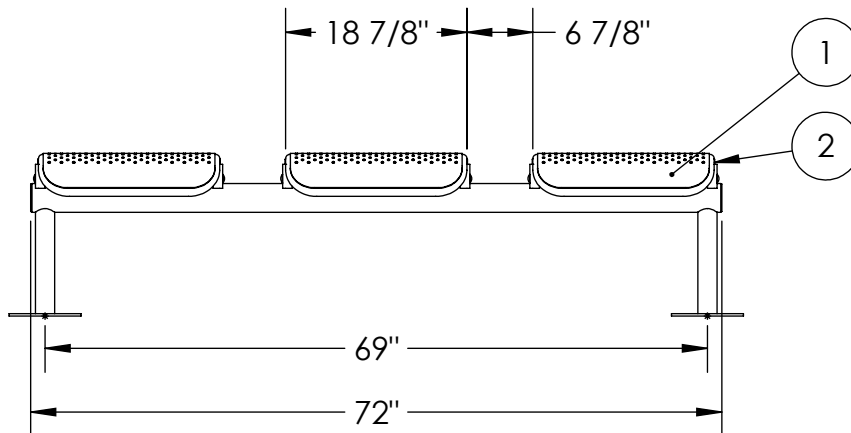
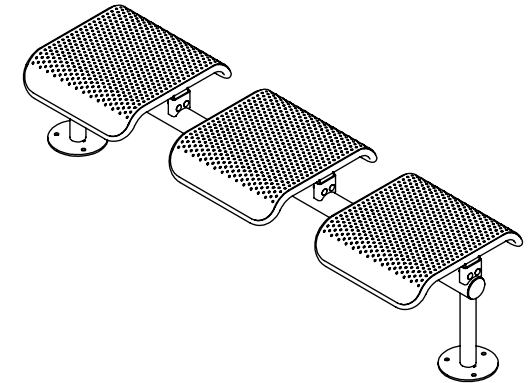
*Available in powder coat and DuraCoat finishes

Materials List

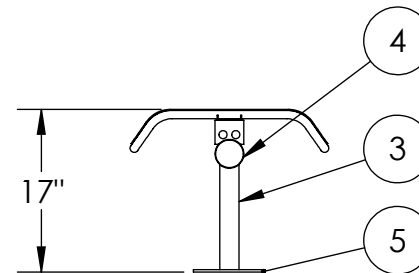
- (1) Seat Panels - 12 Gauge Punched Steel
- (2) Seat Frames - $\phi 7/8$ " x .095" Wall Steel Tubing
- (3) Support Legs - $\phi 2$ " x 1/8" Wall Steel Tubing
- (4) Support Pipe - $\phi 3$ " x 1/8" Wall Steel Tubing
- (5) Surface Mount Plates - $\phi 7 1/2$ " x 1/4" Stainless Steel Plate with 9/16" Mounting Holes
- (6) Mounted with Six $\phi 1/2$ " x 4-5" Stainless Steel Anchor Bolts (Customer Supplied)



TOP VIEW



FRONT VIEW



RIGHT SIDE VIEW